

FOXCOM
Complete RF-2-Fiber Solutions



**7830D Interfacility Link
Installation and User's Guide**

© Copyright 2008

This manual contains propriety and confidential information of Foxcom. Reproduction, release to any third party, or any other unauthorized use, of any information contained herein is expressly forbidden.

The information contained in this document is believed to be accurate as of the time of going to press. Specifications are subject to change without notice.

Corporate Office Israel

Beck Science Center
8 Hartom Street, Har Hotzvim
P.O.Box 45092
Jerusalem 91450
Tel: +972-2-589-9888
Fax: +972-2-589-9898

US Office

Princeton Forrestal Village
136 Main Street Suite 300
Princeton, NJ 08540
Tel: 609-514-1800
Toll free: 1-866-ONEPATH
Fax: 609-514-1881

South Africa Office

Block 4, Kingfisher Office Park
228 Siphosethu Rd.
Mt. Edgecombe
Durban, KwaZulu Natal
Tel. +278 7.751.3911
Fax +278.6.501.6624

Website: www.foxcom.com
e-mail: sales@foxcom.com

Table of Contents

Chapter 1 Introduction to the 7830D Interfacility Link	1
1.1 Options	2
1.2 Product Drawings	3
1.3 Panel Descriptions	4
1.4 Block Diagrams	5
Chapter 2 Installation	7
2.1 Setting up the Transmitter	8
2.2 Connecting the Fiber Optic Cable	9
2.3 Setting Up the Receiver	10
2.4 Powering the IFL	11
2.4.1 7180M Chassis	12
2.5 Connecting the Back Panel Jumpers	13
2.6 Aligning the Fiber Optic Link	15
Chapter 3 Product Specifications	17
3.1 7830D Interfacility Link Specifications	17
3.2 Model Dimensions	19
3.3 7830D Interfacility Link Pinouts	20
3.3.1 Transmitter Pinout	20
3.3.2 Receiver Pinouts	21
3.4 7180M Chassis Pinouts	22
3.4.1 7180M Alarm Connector Pinouts [J12]	23
3.4.2 7180M Monitor Connector Pinout [J13]	24
3.4.3 7180M and Redundancy Switching	24
Chapter 4 Troubleshooting	25
Appendix 1 Cleaning Fiber Optic Connections	27
Appendix 1.1 Cleaning Procedures for FC/APC Connectors	28
Appendix 1.2 Cleaning Procedure for FC/APC Bulkhead Ports	29
Appendix 1.2.1 Swab Method	29
Appendix 1.2.2 Compressed Air Method	29
Appendix 2 Installing a Standalone Unit	31
Appendix 3 The 2380 Relay Adapter	33
Appendix 3.1 Installing the 2380 Relay Adapter	33
Appendix 3.1.1 Parts Required for Installing the 2380	34
Appendix 3.1.2 Mounting the 2380 Relay Adapter	34
Appendix 3.2 2380 Dimensions and Front Panel Label	36
Appendix 3.3 2380 Adapter Pinouts.....	37
Appendix 4 Pinout Charts and Diagrams	39

Figures

Figure 1	Option Label	2
Figure 2	7830DT Transmitter Front and Rear Panel	3
Figure 3	7830DR Receiver Front and Rear Panel	3
Figure 4	7830DT Transmitter Block Diagram	5
Figure 5	7830DR Receiver Block Diagram	5
Figure 6	Typical Application of a <i>7830D Interfacility Link</i>	7
Figure 7	7180M Chassis Rear View	12
Figure 8	Jumper Installation: Tx and Rx only	13
Figure 9	Jumper Installation: 2040 Switch in slot 2	13
Figure 10	Jumper Installation: 2040 Switch in slot 5	14
Figure 11	Jumper Installation: 2040 Switch in slots 2 and 5	14
Figure 12	Fiber Optic Alignment Setup	15
Figure 13	Unit dimensions	19
Figure 14	7810M Chassis Dimensions	19
Figure 15	7830DT Transmitter pinout	20
Figure 16	7830R Receiver pinout	21
Figure 17	7180M Chassis rear view	22
Figure 18	7180M Chassis Pin numbers	22
Figure 19	Wiping the connector with a Kim wiper	28
Figure 20	Wiping the connector with a Kim wiper [2]	28
Figure 21	Cleaning the Optical Port	29
Figure 22	Cleaning the Optical Port [2]	29
Figure 23	Installing the guide pins	34
Figure 24	Mounting the adapter	34
Figure 25	Mounting the Screws [1]	35
Figure 26	Mounting the screws [2]	35
Figure 27	Mounted 2380 Adapter	35
Figure 28	2380 Dimensions	36
Figure 29	2380 Front Label	36
Figure 30	2380 Pin Number	38
Figure 31	Standard 7180M and 7180M with 2380 Relay Adapter Pinout	40
Figure 32	7180M and 2040 RF Switch Pinout	41
Figure 33	Pinout of 7180M Jumper with 2040 RF Switch in slots 2 and 5	42
Figure 34	Pinout of 7180M jumper with 2040 RF switch in slot 5	43
Figure 35	Pinout of 7180M jumper with 2040 RF switch in slot 5	44
Figure 36	Pinout of 7180 jumper with transmitter and receiver units only	45

Tables

Table 1	7830DT Transmitter LEDs	4
Table 2	7830DR Receiver LEDs	4
Table 3	<i>7830D Interfacility Link</i> Specifications	17
Table 4	7830DT Transmitter Pinout	20
Table 5	7830DR Receiver Pinout	21
Table 6	7180M Alarm Connector [J12] Pinouts	23
Table 7	7180M Monitor Connector [J13] Pinout	24
Table 8	Troubleshooting the Transmitter	25
Table 9	Troubleshooting the Receiver	26
Table 10	Cleaning materials	27
Table 11	2380 Alarms Pinouts [J2]	36
Table 12	7180M Monitor Connector [J4] Pinout	37

Important Information

Warranty and Repair Policy	iii
General Warranty	iii
Specific Product Warranty Instructions	iii
Returns	iv
Limitations of Liabilities	iv
Reporting Defects	v
Precautions	v
Personal Safety	v
Equipment Safety	v

Warranty and Repair Policy

Foxcom performs testing and inspection to verify the quality and reliability of our products. Foxcom uses every reasonable precaution to ensure that each unit meets specifications before shipment. Customers are asked to advise their incoming inspection, assembly, and test personnel as to the precautions required in handling and testing our products. Many of these precautions are to be found in this manual.

The products are covered by the following warranties:

General Warranty

Foxcom warrants to the original purchaser all standard products sold by Foxcom to be free of defects in material and workmanship for 24 months from date of shipment from Foxcom. During the warranty period, Foxcom will repair or replace any product that Foxcom proves to be defective. This warranty does not apply to any product which has been subject to alteration, abuse, improper installation or application, accident, electrical or environmental over-stress, negligence in use, storage, transportation or handling.

Specific Product Warranty Instructions

All Foxcom products are warranted against defects in workmanship, materials and construction, and to no further extent. Any claim for repair or replacement of units found to be defective on incoming inspection by a customer must be made within 30 days of receipt of shipment, or within 30 days of discovery of a defect within the warranty period.

This warranty is the only warranty made by Foxcom and is in lieu of all other warranties, expressed or implied. Foxcom sales agents or representatives are not authorized to make commitments on warranty returns.

Returns

In the event that it is necessary to return any product against above warranty, the following procedure shall be followed:

1. Return authorization is to be received from Foxcom prior to returning any unit. Advise Foxcom of the model, serial number, and discrepancy. The unit may then be forwarded to Foxcom, transportation prepaid. Devices returned collect or without authorization may not be accepted.
2. Prior to repair, Foxcom will advise the customer of our test results and any charges for repairing customer-caused problems or out-of-warranty conditions etc.
3. Repaired products are warranted for the balance of the original warranty period, or at least 90 days from date of shipment.

Limitations of Liabilities

Foxcom's liability on any claim, of any kind, including negligence for any loss or damage arising from, connected with, or resulting from the purchase order, contract, quotation, or from the performance or breach thereof, or from the design, manufacture, sale, delivery, installation, inspection, operation or use of any equipment covered by or furnished under this contact, shall in no case exceed the purchase price of the device which gives rise to the claim.

EXCEPT AS EXPRESSLY PROVIDED HEREIN, FOXCOM MAKES NO WARRANTY, EXPRESSED OR IMPLIED, WITH RESPECT TO ANY GOODS, PARTS AND SERVICES PROVIDED IN CONNECTION WITH THIS AGREEMENT INCLUDING, BUT NOT LIMITED TO, THE IMPLIED WARRANTIES OF MERCHANTABILITY AND FITNESS FOR A PARTICULAR PURPOSE. FOXCOM SHALL NOT BE LIABLE FOR ANY OTHER DAMAGE INCLUDING, BUT NOT LIMITED TO, INDIRECT, SPECIAL OR CONSEQUENTIAL DAMAGES ARISING OUT OF OR IN CONNECTION WITH FURNISHING OF GOODS, PARTS AND SERVICE HEREUNDER, OR THE PERFORMANCE, USE OF, OR INABILITY TO USE THE GOODS, PARTS AND SERVICE.

The Company's exclusive warranty and the remedy provided for breach thereof shall not apply to:

1. Any Product used or operated other than pursuant to the Company's written instructions,
2. Damage or deficiencies resulting from accident, alteration, modification, misuse, tampering, negligence, improper maintenance, installation or abuse,
3. Use of any Product other than at the Installation Site,
4. Use of any Product that is defective or damaged due to misuse, accident, or neglect, or due to external electrical stress, lightning or other acts of nature,
5. Use of any Product by a person who is not any authorized employee of the Customer, or
6. Used other than as explicitly authorized in writing by the Company.

Reporting Defects

The units were inspected before shipment and found to be free of mechanical and electrical defects.

Examine the units for any damage which may have been caused in transit. If damage is discovered, file a claim with the freight carrier immediately. Notify Foxcom as soon as possible.

Note Keep all packing material until you have completed the inspection.

Precautions

Personal Safety

OPTICAL RADIATION

Applying power to the transmitter unit will create a laser energy source operating in Class I as defined by IEC 825-1. Use either an infrared viewer, optical power meter or fluorescent screen for optical output verification.

AC POWER HAZARD

The rackmount power supply line is EMI filtered. The chassis is connected to earth ground in compliance with safety requirements. Always use the 3-prong AC plug with earth ground to avoid possibility of electrical shock hazard to personnel.

Equipment Safety

To avoid damaging your product, please observe the following:

1. The output of the receiver is AC coupled and can withstand the bias from a satellite receiver. **Do not exceed 25V DC bias.**
2. The input of the transmitter has an optional built-in bias for inserting DC power up the coax to the LNB. Make certain that any equipment or test equipment connected to the transmitter input can withstand this bias.
3. Do not allow any dirt or foreign material to get into the optical connector bulkheads. This may cause damage to the polished optical connector end faces.
4. The optical fiber jumper cable bend radius is 3 cm. Smaller radii can cause excessive optical loss and/or fiber breakage.
5. If multiple transmitters are installed in the chassis allow sufficient room for adequate ventilation; otherwise the units may overheat causing possible safety hazard or equipment damage.
6. Fuses: The 7180M chassis does not have fuses. If the unit fails, pull the power supply out from the chassis and then push it back in.
7. When several units are installed on one 7180M chassis, ensure that the total units' current consumption (including any LNB bias) does not exceed 6A.

1 Introduction to the 7830D Interfacility Link

1.1	Options	2
1.2	Product Drawings	3
1.3	Panel Descriptions	4
1.4	Block Diagrams	5

The *7830D IFL* is a 10 – 200 MHz IF fiber optic link used primarily in short distance, single channel video applications with high input/output power levels. The *7830D IFL* consists of an optical transmitter (7830DT) which receives signals from satellite modems, video modulators, or exciters and transmits them to an optical receiver (7830DR) via singlemode fiber.

The 7830DT and 7830DR modules plug into a 7180M, a 3U chassis and power supply, which enables expansion of the system to accommodate up to eight Sat-Light™ modules. Accessories include the Model 7001P Power Supply, the Model 2040 1:1 Redundant Switch, the Model 2100 Amplifier, and the Model 7050 Serial Optical Multiplexer, an asynchronous data transceiver.

The *7830D IFL* transmits all satellite modulation schemes - digital or analog. Any FM modulated RF signal is transmitted accurately. The RF signal is directly modulated and adds virtually no phase noise to the original signal. The direct modulation, along with extremely flat amplitude and group delay, guarantees low bit error rate (BER) and high signal quality, independent of distance.

LEDs, and back panel monitors, and alarms allow for complete system status monitoring and for interfacing with monitor and control (M&C) systems. Gain Control at the Receiver sets the RF level.

1.1 Options

The *7830D Interfacility Link* comes with a variety of options:

1. 50 Ω Input/Output Impedance/BNC female connector; Standard impedance is 75 Ω /BNC, female connectors.
2. Standalone unit; The 7830 IFL can be installed as a standalone unit. If the 7830 is used as a standalone, a separate power supply must be used.

On the side of the 7830DT and the 7830DR units is a label¹ which lists the options. Under each option is a square. If the unit includes a particular option the square under the option should be marked.

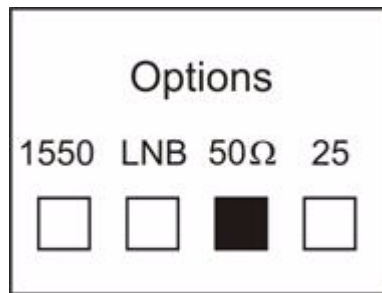


Figure 1 Option Label

-
1. The sticker includes options which are not relevant to the 7830 IFL.

1.2 Product Drawings

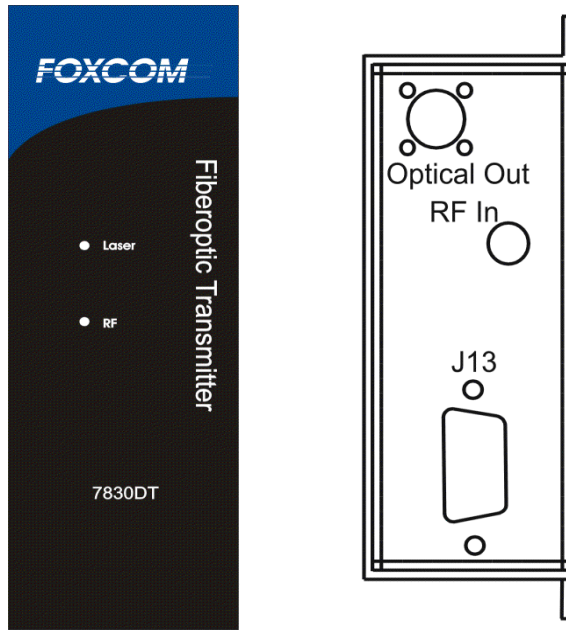


Figure 2 7830DT Transmitter Front and Rear Panel

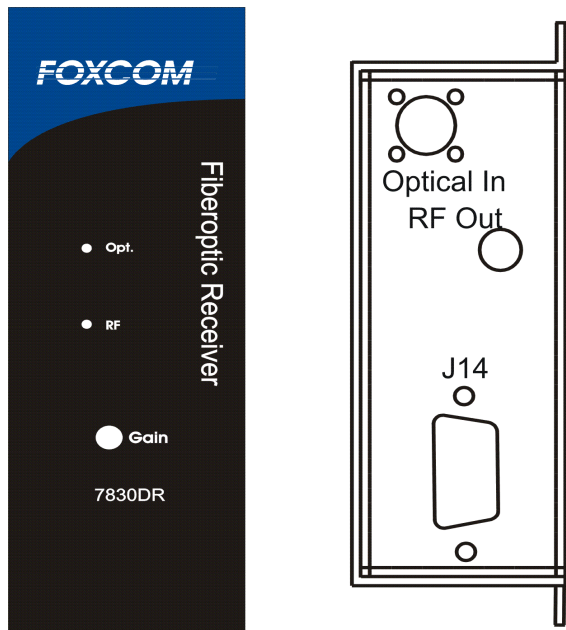


Figure 3 7830DR Receiver Front and Rear Panel

1.3 Panel Descriptions

On the Front Panel of the *7830D IFL* units are two LEDs. Both LEDs should be on when the unit is in use. T

The LEDs on the Front Panel of the **7830** Transmitter and Receiver are:

LED Name	LED Function
Laser	Indicates if the laser is functioning
RF	Indicates RF signal level <ul style="list-style-type: none"> • Green: Input level is within 3 dB of specification (level is -2 to -28 dBm) • Amber: Input level exceeds maximum recommended level by 3 dB or more (level is >-2 dBm) • Off: Input level is below minimum recommended level by 3 dB or more (level is < -28 dBm)

Table 1 7830DT Transmitter LEDs

LED Name	LED Function
Opt.	Indicates if the optical input power is above the minimal level [≥ 3 dBm]
RF	Indicates RF signal level <ul style="list-style-type: none"> • Green: Input level is within 3 dB of specification (level is -2 to -28 dBm) • Amber: Input level exceeds maximum recommended level by 3 dB or more (level is >-2 dBm) • Off: Input level is below minimum recommended level by 3 dB or more (level is < -28 dBm)

Table 2 7830DR Receiver LEDs

1.4 Block Diagrams

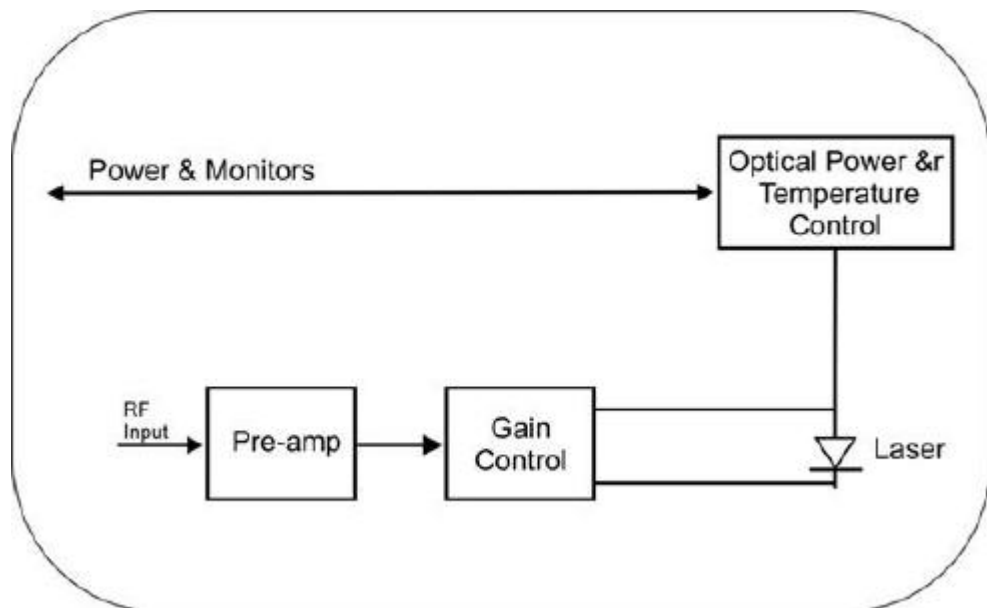


Figure 4 7830D Transmitter Block Diagram

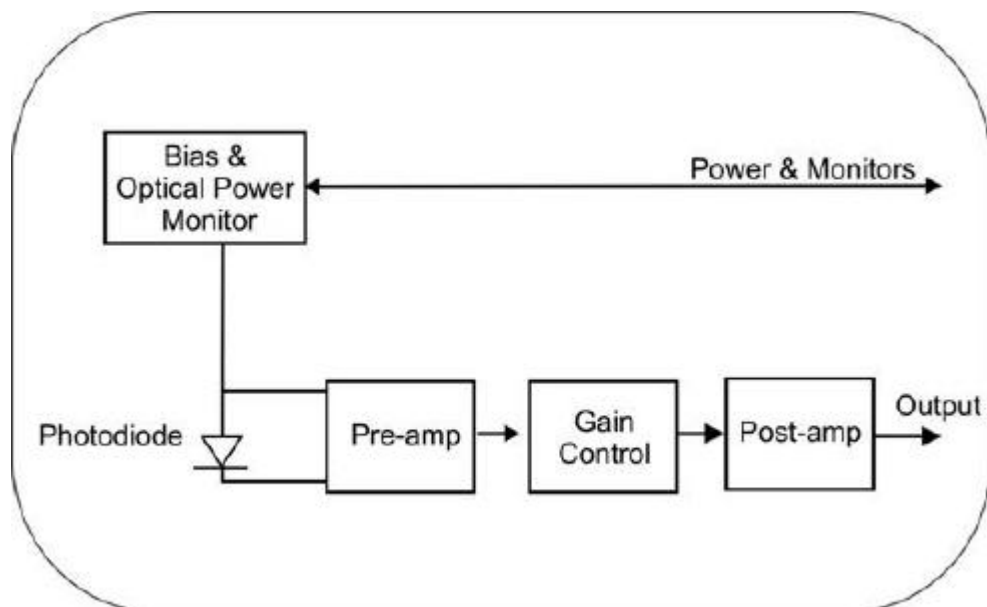


Figure 5 7830DR Receiver Block Diagram

2 Installation

Chapter 2 describes how to install the *7830D Interfacility Link* units. Setting up the **7830E** Transmitter/Receiver consists of:

2.1	Setting up the Transmitter	8
2.2	Connecting the Fiber Optic Cable	9
2.3	Setting Up the Receiver	10
2.4	Powering the IFL	11
2.4.1	7180M Chassis	12
2.5	Connecting the Back Panel Jumpers	13
2.6	Aligning the Fiber Optic Link	15

Observe all warnings and cautions mentioned at the beginning of this manual (See **Important Information** on page iii).

If after set-up you experience problems, see **Chapter 4: Troubleshooting**, on page 25.

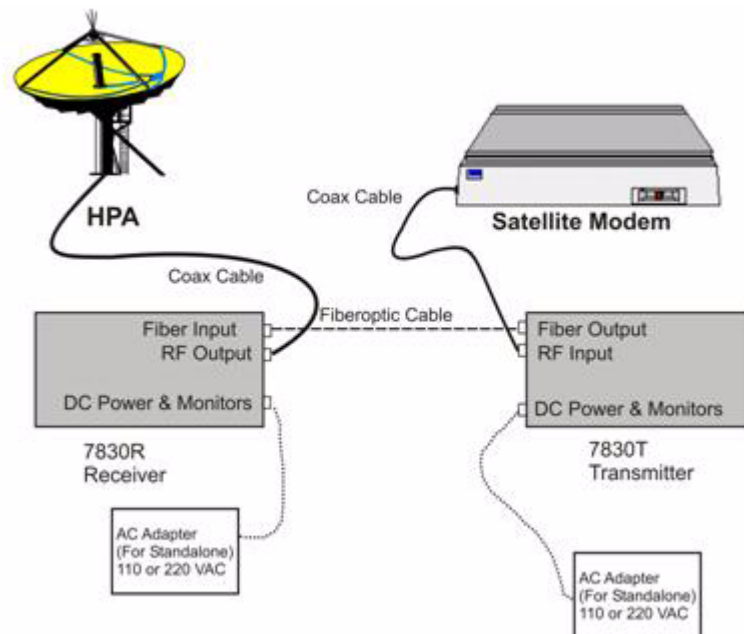


Figure 6 Typical Application of a *7830D Interfacility Link*

2.1 Setting up the Transmitter

1. Place the **7830T** in the 7180M Chassis.
2. Apply AC power to the chassis. The Power Supply and Laser LEDs should be lit.
3. Using an optical power meter, measure the optical power. Insert the meter's cable into the Transmitter's optical connector. Power levels should be 0.5 mW minimum (-3 dBm).

Alternatively, use a DVM to measure the voltage at:

- **7180M Rackmount:** Pins J13-P17 through J13-P24 for the slot being measured (See **Table 4: 7830DT Transmitter Pinout** on page 20 for details regarding J13 pinouts). [7180M Rackmount]
- **Standalone:** At pin #6 of the 9 pin connector [Standalone]

The signal level should be $-4.5 \pm -0.3\text{VDC}$.

4. On the rear panel, connect the coax cable to the RF Input Connector. The RF LED should be lit.
5. On the rear panel, connect the fiber optic cable to the Optical Connector.

Note If either LED is not lit, see **Chapter 4: Troubleshooting**, on page 25.

Caution *When monitoring the voltage outputs use only a high resistance DVM.*

2.2 Connecting the Fiber Optic Cable

Before connecting the cable:

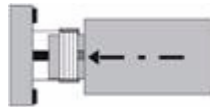
1. The fiber optic cable **must** be either fusion spliced or connected via FC/APC connectors.
2. Wipe the connector with a lint-free cotton cloth.
3. Note the polarity key of the optical connector before inserting.

To connect the cable:

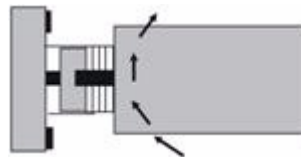
1. Line Up the Polarity Key.



2. Insert the connector



3. Tighten the connector



Caution *Do not apply any glue, silicon adhesive, or any other material to the fiber optic connector!*

2.3 Setting Up the Receiver

1. Place the **7830R** Receiver in any of the 7180M Chassis, unless a 2040 RF Switch is installed. (See **Figure 7 7180M Chassis Rear View** on page 12.)

Note If a 2040 RF Switch(es) is being installed, then slots 2 and/or 5 of the 7180M are reserved for the switch(es).

2. Apply AC power to the chassis. The Power Supply's LED should be lit.
3. Using an optical power meter, measure the optical power coming to the Receiver from the fiber optic cable. The power levels of the Receiver should be the power level measured at the Transmitter minus the fiber loss².

Alternatively, use a DVM to measure the voltage at:

- pins J13-P9 through J13-P16 for the slot being measured (See **Table 5: 7830DR Receiver Pinout** on page 21 for details regarding J13 pinouts) (7180M Rackmount). The voltage level should be 1 V for each 1 mW measured at the Receiver input.
 - at pin #5 of the 9 pin connector (standalone)
4. On the rear panel, connect the coax cable to the RF Output Connector.
 5. Adjust the Gain Control Potentiometer to give the desired output power. Using a small screw driver, turn the potentiometer (located on the front panel) to increase or decrease the gain.

Notes

1. The potentiometer is 10 turn potentiometer.
 - To **increase** the gain, turn the gain control clockwise.
 - To **decrease** the gain, turn the gain control counterclockwise.

For more information see **2.6 Aligning the Fiber Optic Link** on page 15.

2. If the LED is not lit, see **Chapter 4: Troubleshooting**, on page 25.

-
2. Fiber loss is defined as:
(attenuation/km x length (km) of the fiber optic cable) + (0.5 dB x number of connectors).
For example if a signal with an optical wavelength of 1310 nm is transmitted over a link 10 kilometers long which had two connectors the loss would be:
 $(0.4 \text{ dB/km} \times 10 \text{ km}) + (0.5 \text{ dB} \times 2) = 5.0 \text{ dB}$

2.4 Powering the IFL

- Transmitter power requirement: +14 VDC @ 200 mA
- Receiver power requirement: +14 VDC @ 250 mA.
- The Standalone Transmitter/Receiver is powered by a Foxcom supplied external DC power supply.
- The Rackmount Transmitters/Receivers are plugged into the rackmount chassis. The chassis can accept and power up to eight units.

Note At temperatures below 10°C, the Transmitter's internal heater will require an additional 100 mA. The Transmitter's total power requirement will then be 300 mA.

Caution *Ensure that there is a good airflow around the chassis rackmount.*

2.4.1 7180M Chassis

The 7180M Chassis provides power to the plug in units. The power supply is a switching type. Each plug-in regulates its own voltage. The power supply provides:

- 14 VDC stable
- AC input; 100 - 240 VAC
- Units can be plugged in “hot standby”

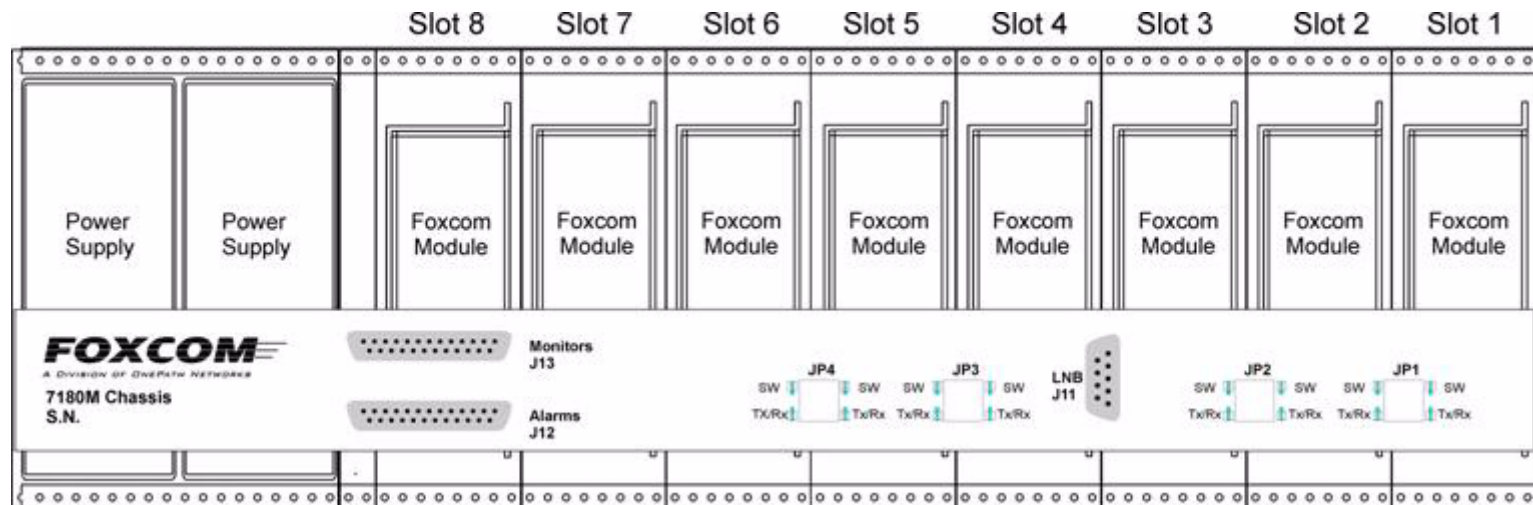


Figure 7 7180M Chassis Rear View

2.5 Connecting the Back Panel Jumpers

On the rear panel of the 7180M Back Panel are product selectors (JP1 to JP4). The 3 pin selectors (male) are the connecting point between the slots and the back panel. One pin is for the transmitter/receiver (Tx/Rx), one is for the optional 2040 1:1 Redundant Switch, and one is for the 7180M. A 2 pin jumper (female) is placed on the relevant pins to complete the connection between the 7180M and the units. For example, if a 2040 Switch is being used, the jumper is placed on the Switch-7180M pins.

To connect the jumpers:

1. Each jumper has two sets of pins, upper and lower. The upper pins are labeled SW (Switch) and the lower pins Tx/Rx.
2. If the 7180M has Tx or Rx units only, place all jumpers on the lower two pins.

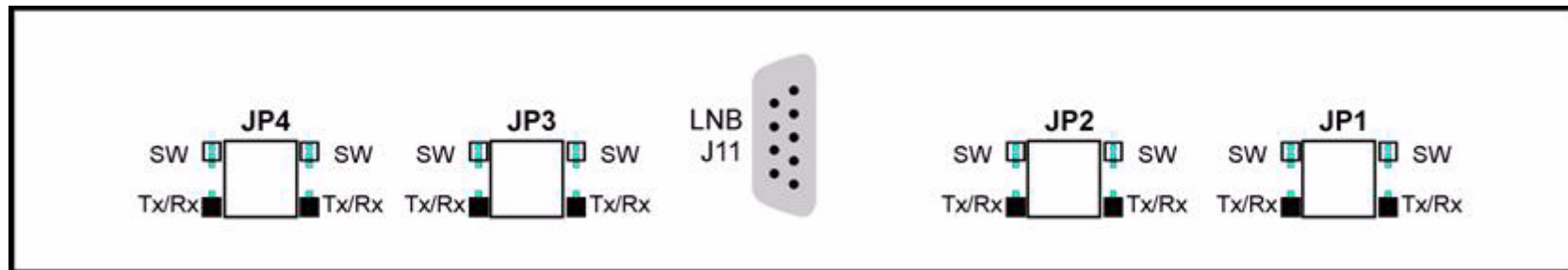


Figure 8 Jumper Installation: Tx and Rx only

3. If the 2040 Switch is installed in Slot 2, place the JP1 and JP2 jumpers on the higher two pins and the JP3 and JP4 jumpers on the lower two pins.

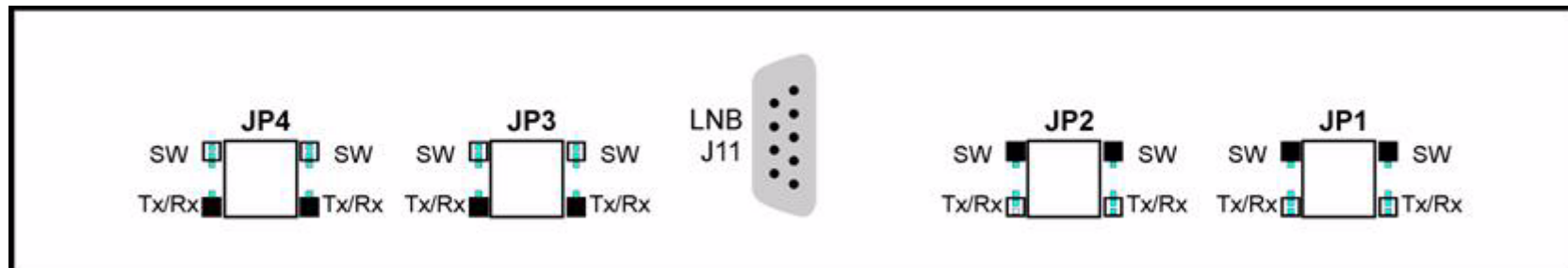


Figure 9 Jumper Installation: 2040 Switch in slot 2

- If the 2040 Switch is installed in Slot 5, place the JP1 and JP2 jumpers on the lower two pins and the JP3 and JP4 jumpers on the higher two pins.

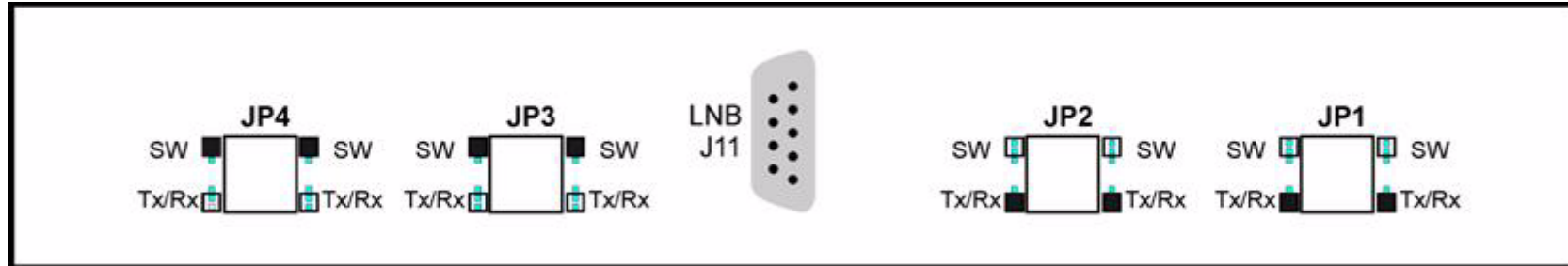


Figure 10 Jumper Installation: 2040 Switch in slot 5

- If the 2040 Switch is installed in Slots 2 and 5, place the JP1, JP2, JP3, and JP4 jumpers on the higher two pins.

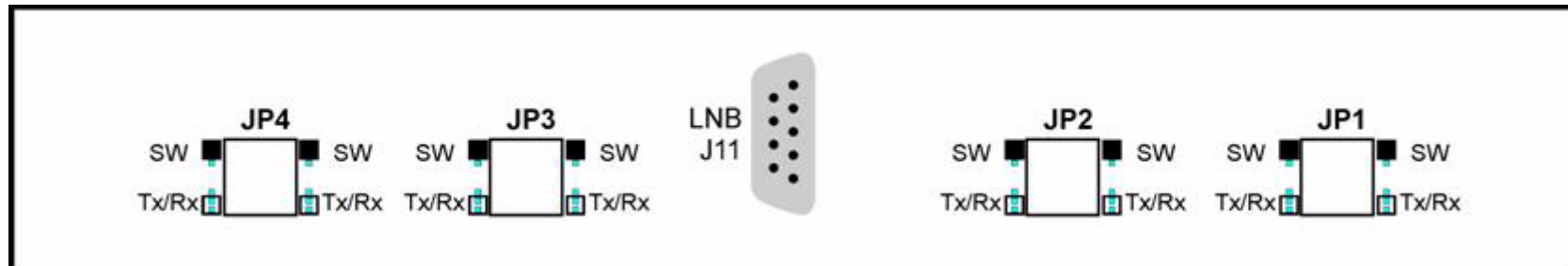


Figure 11 Jumper Installation: 2040 Switch in slots 2 and 5

2.6 Aligning the Fiber Optic Link

The final step in installing the *7830D Interfacility Link* is re-adjusting the Receiver Gain Control for unity gain.

To set the unity gain (standard version)

1. Set the Signal Generator to -15 dBm. Alternatively measure the operational input level.
2. Set up the system as shown in **Figure 12 Fiber Optic Alignment Setup**
3. Adjust the Receiver Gain Control for -15 dBm reading on the power meter.

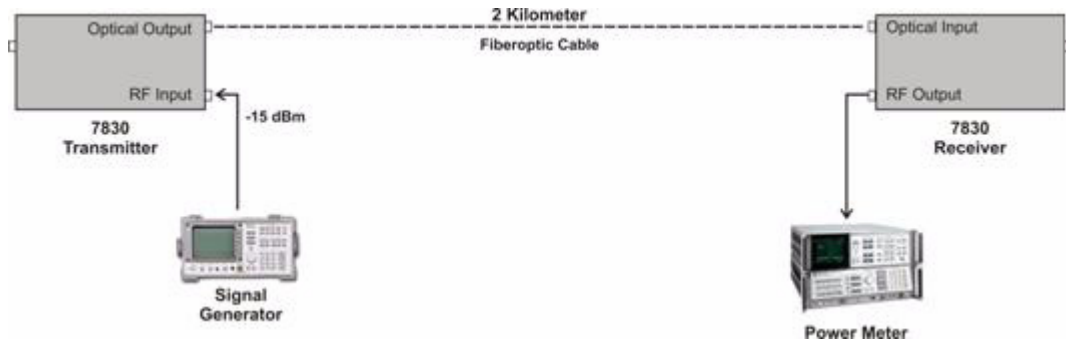


Figure 12 Fiber Optic Alignment Setup

3 Product Specifications

3.1	7830D Interfacility Link Specifications	17
3.2	Model Dimensions	19
3.3	7830D Interfacility Link Pinouts	20
3.3.1	Transmitter Pinout	20
3.3.2	Receiver Pinouts	21
3.4	7180M Chassis Pinouts	22
3.4.1	7180M Alarm Connector Pinouts [J12]	23
3.4.2	7180M Monitor Connector Pinout [J13]	24
3.4.3	7180M and Redundancy Switching	24

3.1 7830D Interfacility Link Specifications

RF Specifications	
Frequency range	10 - 200 MHz
Flatness 10 – 200 MHz @ unity gain	± 0.75 dB [full band]
Flatness @ 36 MHz any 36 MHz	± 0.25 dB [max.]
CNR	70 dB @ 1 MHz
Noise Figure ¹ [50 Ω]	22 dB [typical]
Noise Figure ¹ [75 Ω]	24 dB [typical]
Input/Output impedance	50 Ω [75 Ω optional]
OIP3 @ Maximum input power	+ 15 dBm
Group delay variation @ 20 - 200 MHz	<1 nSec
Third order modulation	- 50 dBc with 2 equal carrier, total input power -5 dBm
Input signal range [total power]	-25 to - 5 dBm
Output signal range [total power]	-25 to - 5 dBm
Maximum input without damage	+10 dBm
Receiver gain control	Manual
RF connector	BNC female [BNC 75/F optional]
Gain stability	±0.25 dBm @ 24 hours
Receiver gain range	+10 dB
Optical Specifications	
Optical Wavelength	1310 ± 10 nm
Optical power output	2 mW/+3 dBm [minimum]
Optical connector	FC/APC
Optical budget / distance	3 dB / 2 Km
Optical return loss	-60 dB
Optical connector loss	0.5 dB/mated pair
Receiver gain range	+10 dB

Table 3 7830D Interfacility Link Specifications

1. @ maximum input @ 1 dB optical loss & 10 dB link gain [-15 dBm in, - dBm out]

Physical Specifications	
Chassis capacity	8 plug-ins, and 2 power supplies
Chassis size	19" × 5.25" [3U] × 7"
Power for rackmount [max.]	100 to 240 VAC 50/60Hz 90 Watts
Standalone size	5" × 4.8" × 1.3"
Power for standalone	
Transmitter	+14 VDC @ 200 mA max. [300 mA temp.< 10° C)
Receiver	+14VDC @ 250 mA max.
Operating Temperature Range	-10°C to +55°C
Storage Temperature Range	-40°C to +85°C
All specifications are subject to change without prior notice	

Note If the link is between 100 - 500 meters, foxcom technicians will limit the output power to +2 dBm/1.6 mW. This information must be given to Foxcom when ordering the link.

3.2 Model Dimensions

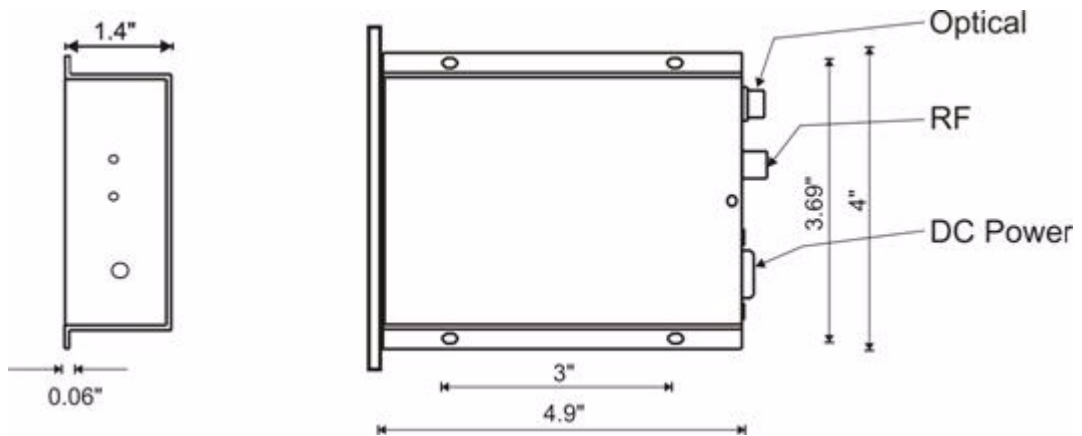


Figure 13 Unit dimensions

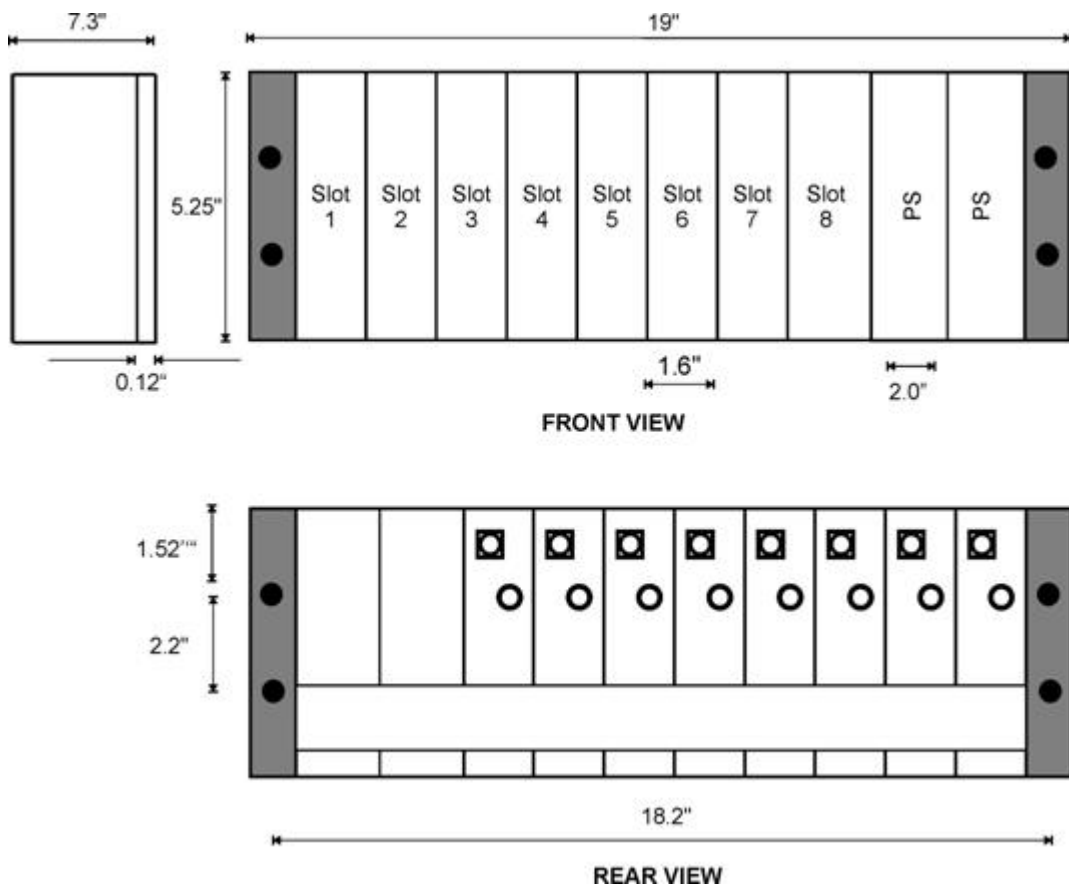


Figure 14 7810M Chassis Dimensions

3.3 7830D Interfacility Link Pinouts

3.3.1 Transmitter Pinout

Standalone 9-Pin Connector [J13]	7180M Chassis Backplane Connector	2380 Relay Adapter Connector	Name	Description
1	—	—	+14V Power	200 mA [max ≥ 10°C] ¹
2	—	—	Spare	Not Used
3	J11-P9, J12-P25 J13-P25	J4-P25	GND	Chassis Ground
4	J13-P1 to J13-P8	J4-P1 to J4-P8	RSSI	RF signal strength indicator: range 0.2 - 10 V
5	J13-P9 to J13-P16	J4-P9 to J4-P16	PDI	Indicates laser optical power: range -4.2 to 4.8
6	J13-P17 to J13-P24	J4-P17 to J4-P24	LSRI	Indicates Laser Bias; Range
7	J12-P1 to J12-P8	J2: P1-P2 P3-P4, P5-P6 P7-P8, P9-P10 P11-P12, P13-P14 P15-P16	RFA	RF Alarm: Open collector interface. ² Sinks current when RF level is low, up to 30 mA.
8	J12-P9 to J12-P16	See note below	OPTA	Optical Alarm: Open Collector Interface ² . Sinks current at low optical, up to 30 mA.
9	J11-P1 to J11-P6		Spare	Not used

Table 4 7830DT Transmitter Pinout

- 300 ma below 10°C
- If the 2380 Relay Adapter is installed, the alarms are dry contact. See **Appendix 3 The 2380 Relay Adapter** on page 33.

Note If a 2380 Relay Adapter is installed RF and Optical Levels are measured together; the alarm indicates a problem in either the RF or Optical Levels.

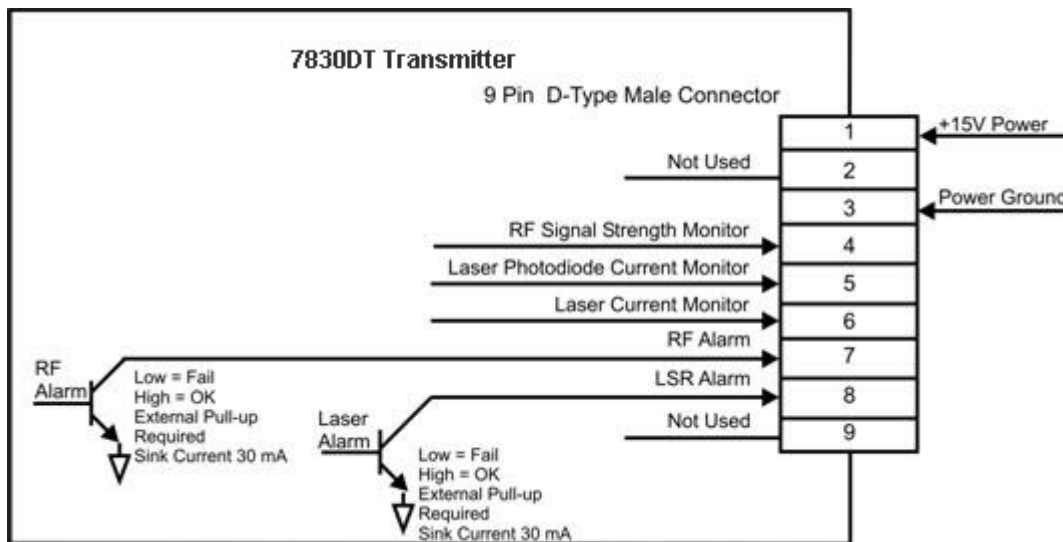


Figure 15 7830DT Transmitter pinout

3.3.2 Receiver Pinouts

Standalone 9 Pin Connector [J14]	7180M Chassis Backplane Connector	2380 Relay Adapter Connector	Name	Description
1	—	—	+14V Power	350 mA
2	—	—	Spare	Not Used
3	J11-P9 J12-P25 J13-P25	J4-P25	GND	Chassis Ground
4	J13-P1 to J13-P8	J4-P1 to J4-P8	RSSI	RF signal strength indicator: range 0.2 - 10 V
5	J13-P9 to J13-P16	J4-P9 to J4-P16	PDI	Indicates input optical power: 1 V/ 1 m optical power
6	—	—	Spare	Not used
7	J12-P1 to J12-P8	J2: P1-P2 P3-P4, P5-P6 P7-P8, P9-P10 P11-P12 P13-P14 P15-P16	RFA	RF Alarm: Open collector interface. ¹ Sinks current when RF level is low, up to 30 mA.
8	J12-P9 to J12-P16	See note below	OPTA	Optical Alarm: Open Collector Interface ¹ . Sinks current at low optical, up to 30 mA.
9	—	—	Spare	Not used

Table 5 7830DR Receiver Pinout

- If the 2380 Relay Adapter is installed, the alarms are dry contact. See **Appendix 3 The 2380 Relay Adapter** on page 33.

Note If a 2380 Relay Adapter is installed RF and Optical Levels are measured together; the alarm indicates a problem in either the RF or optical levels.

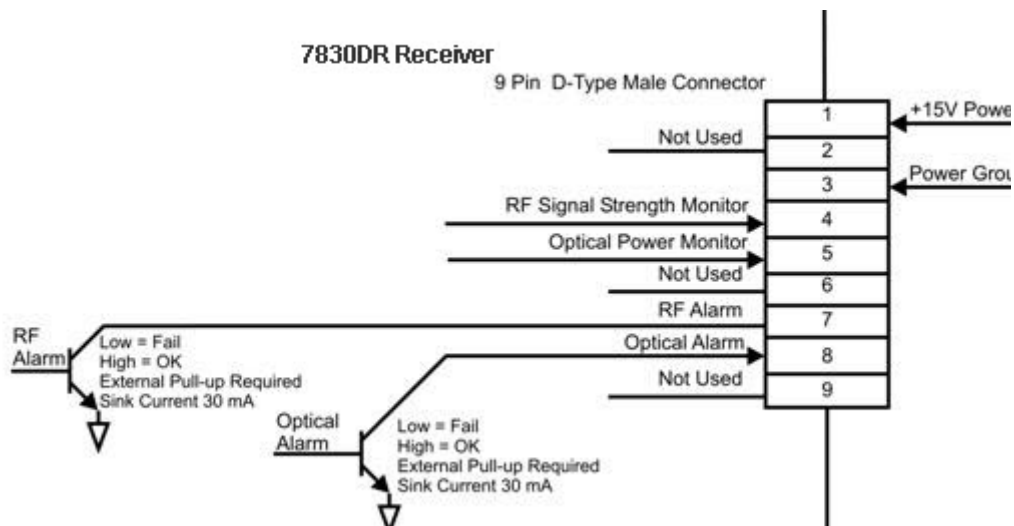


Figure 16 7830R Receiver pinout

Caution When monitoring the voltage outputs use only a high resistance DVM.

3.4 7180M Chassis Pinouts

The unit's pins are found at the backplane of the 7180M chassis. The 7180M chassis backplane incorporates eight slots. Pinouts from the 9-pin connector at each slot are sent through the backplane assembly to the two 25-pin D-connectors, J12 and J13, and one 9-pin connector, J11³. Any monitor voltages to be measured may be done between the chassis ground and the required pin.

For more information about pinouts, see **Appendix 4 Pinout Charts and Diagrams** on page 41.

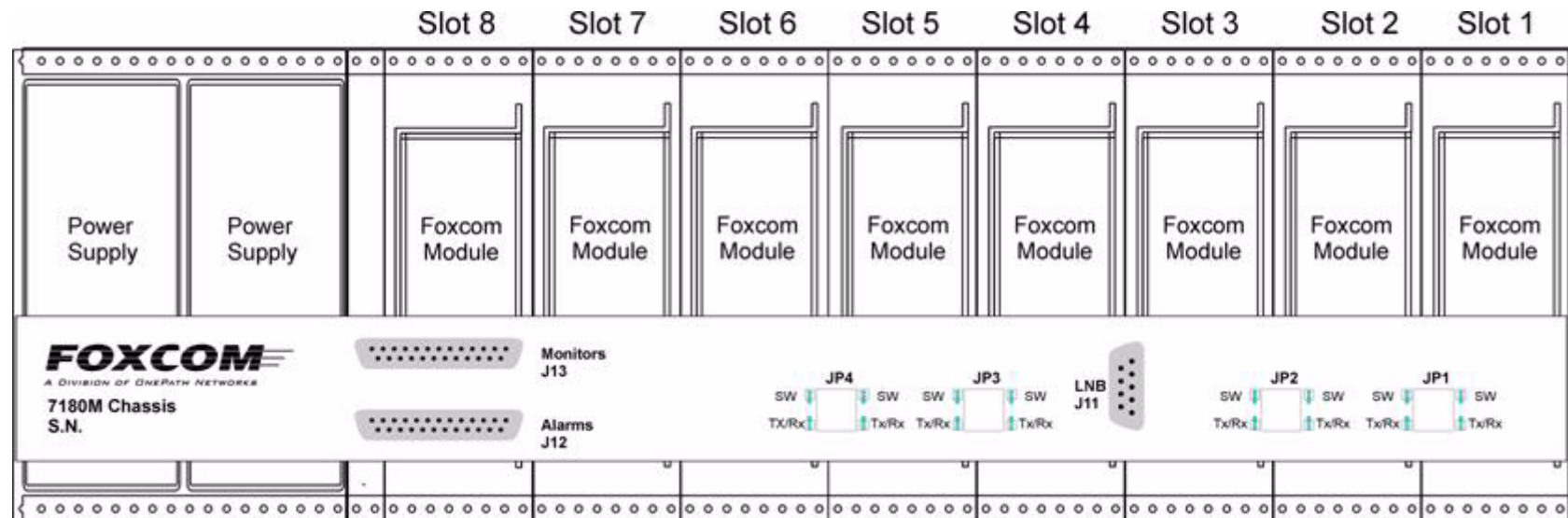


Figure 17 7180M Chassis rear view

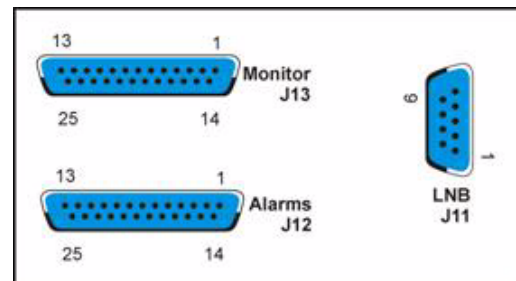


Figure 18 7180M Chassis Pin numbers

3. In the **7830** the J11 connector is inoperative.

3.4.1 7180M Alarm Connector Pinouts [J12]

Pin No.	Function	Name	Slot No.
1	RF Alarm	RfAlm1	1
2	RF Alarm	RfAlm2	2
3	RF Alarm	RfAlm3	3
4	RF Alarm	RfAlm4	4
5	RF Alarm	RfAlm5	5
6	RF Alarm	RfAlm6	6
7	RF Alarm	RfAlm7	7
8	RF Alarm	RfAlm8	8
9	Optical Alarm	OptAlm1	1
10	Optical Alarm	OptAlm2	2
11	Optical Alarm	OptAlm3	3
12	Optical Alarm	OptAlm4	4
13	Optical Alarm	OptAlm5	5
14	Optical Alarm	OptAlm6	6
15	Optical Alarm	OptAlm7	7
16	Optical Alarm	OptAlm8	8
17			
18			
19			
20			
21	Standby Power Supply	SPSNOP	
22	Standby Power Supply	SPSCOM	
23	Main Power Supply	MPSNOP	
24	Main Power Supply	MPSCOM	
25	Chassis Ground	GND	

Table 6 7180M Alarm Connector [J12] Pinouts

3.4.2 7180M Monitor Connector Pinout [J13]

Pin #	Function	Name	
1	RSSI Monitor	RSSI	1
2	RSSI Monitor	RSSI2	2
3	RSSI Monitor	RSSI3	3
4	RSSI Monitor	RSSI4	4
5	RSSI Monitor	RSSI5	5
6	RSSI Monitor	RSSI6	6
7	RSSI Monitor	RSSI7	7
8	PDI Monitor	RSSI8	8
9	PDI Monitor	PDI1	1
10	PDI Monitor	PDI2	2
11	PDI Monitor	PDI3	3
12	PDI Monitor	PDI4	4
13	PDI Monitor	PDI5	5
14	PDI Monitor	PDI6	6
15	PDI Monitor	PDI7	7
16	PDI Monitor	PDI8	8
17	LSRI Monitor	LSR1	1
18	LSRI Monitor	LSR2	2
19	LSRI Monitor	LSR3	3
20	LSRI Monitor	LSR4	4
21	LSRI Monitor	LSR5	5
22	LSRI Monitor	LSR6	6
23	LSRI Monitor	LSR7	7
24	LSRI Monitor	LSR8	8
25	Chassis Ground	GND	

Table 7 7180M Monitor Connector [J13] Pinout**3.4.3 7180M and Redundancy Switching**

The 2040 Switch provides optional 1:1 redundancy switching for all Foxcom Interfacility Links. If the customer chooses to add redundancy switching to the link, the pin connector jumpers need to be moved.

Detailed instructions on moving the jumpers are provided in the *Model 2040 1:1 Redundant Switch Installation and User's Guide (Document Number 93-005-26-A2)*.

4 Troubleshooting

The *7830D Interfacility Link* unit was tested before it left the factory. However if you are experiencing difficulties see the list below for possible solutions. if you are still experiencing problems, attempt to isolate and identify the malfunctioning unit before consulting Foxcom's technical support.

Table 8 Troubleshooting the Transmitter

Problem	Possible Cause
1. Laser LED not on	<p>a. No DC power to the unit. Possible power supply problem or AC power input problem. Check the power supply fuse.</p> <p>b. Verify LSRI monitor is between -4.2 and -4.8VDC. If not, laser may have overheated. Disconnect power or remove plug and allow to cool. Try again with better airflow.</p> <p>c. If an optical power meter is available, measure the optical power out of the transmitter. The power should be between 0.5 mW[-3 dBm]. If an optical power meter is not available, use another receiver to determine if there is optical power emerging from the transmitter (use a 5 meter jumper cable). If there is no optical power, then the transmitter unit is malfunctioning.</p> <p>If any or all the above are not within the guidelines, the transmitter unit is faulty.</p>
2. The RF LED is not lit	<p>The input signal is less than -28 dBm; verify RF signal strength [RSSI] is ≤ 0.2 VDC. [See Table 4, "7830DT Transmitter Pinout," on page 20]. Even if slightly out of range, the unit may still function, although it will register an alarm condition.</p>
3. RF LED illuminated - with no input signal	<p>Unit may be receiving stray RF "pick up". Solution: provide RF input or use necessary termination input.`</p>

Table 9 Troubleshooting the Receiver

Problem	Possible Cause
1. Lack of RF signal present at Receiver, yet optical power is functioning.	<p>If a spectrum analyzer or power meter is not available then use a DVM and adjust the gain control for RF signal strength (RSSI) so that the reading is > 0.2VDC. (See Table 5, “7830DR Receiver Pinout,” on page 21).</p> <p>Conclusion: If signal still not present then transmitter input stage amplifier or receiver amplifier is defective. Contact factory.</p>
2. No optical power, LED not illuminated.	<ul style="list-style-type: none">a. Transmitter is not functioning, see above.b. There is a break or severe bend in the fiber optic cable. Use an optical power meter or another functioning receiver unit to verify optical power coming down the fiber.c. The connector is dirty. Clean it.d. Optical power too low, too many splits, too long a distance (thus exceeding optical budget). System <i>may still function</i> without LED illuminated although at reduced performance.
3. Optical power light illuminated with disconnected optical input.	Damaged (leaky) photodiode. Unit may still function, otherwise contact Factory for service.
4. The RF LED is not illuminated.	Verify that the RF signal strength (RSSI) is <0.2° VDC.

Appendix 1 Cleaning Fiber Optic Connections

Appendix 1.1 Cleaning Procedures for FC/APC Connectors..... 28
Appendix 1.2 Cleaning Procedure for FC/APC Bulkhead Ports 29
Appendix 1.2.1 Swab Method 29
Appendix 1.2.2 Compressed Air Method 29

The unit has an FC/APC angle polished optical connector for very high optical return loss performance. The units are specified into single mode fiber i.e. 9/125 micron core diameter. Full performance is specified only for low return loss optical plant - meaning that the fiber must be fusion spliced and all connections or splices must have a return loss greater than -60 dB. With these guidelines in mind, link lengths beyond 20 kilometers (DFB based products) can be achieved with high performance. Specific performance and/or design assistance is available by request from Foxcom.

If there is low/no signal or noisy signal at a Foxcom module, the connector should be cleaned. Dirt on the inside connector tip can impair the flow of light causing problems in signal transmission. Foxcom modules are sealed but dirt can occasionally enter during installation and alignment.

The input and output optical ports of all Foxcom equipment are known in the fiber optic world as bulkhead ports. Foxcom uses FC/APC connectors.

The following materials are representative of the types of cleaning materials that should be used for cleaning the fiber optic ports and connectors. They are available from several suppliers.

Description	Manufacturer
Kim wipes	Kimberly Clark
Cletop Automatic Connector Cleaner	Cletop
fiber optic Swab	Cletop or FIS
fiber optic Compressed Air	Chemtronics

Table 10 Cleaning materials

Wiping clothes should be made of lint free alcohol free nonabrasive materials. Swabs should have a tightly wrapped tip and be talcum-free. For removing dust from receptacles, a canned compressed gas is recommended. Do not use commercial compressed air because of risk of contamination.

Appendix 1.1 Cleaning Procedures for FC/APC Connectors

Use a Kim Wipe to gently wipe the end face surface of the connector. Alternatively a Cletop automatic connector cleaner can be used.



Figure 19 Wiping the connector with a Kim wiper

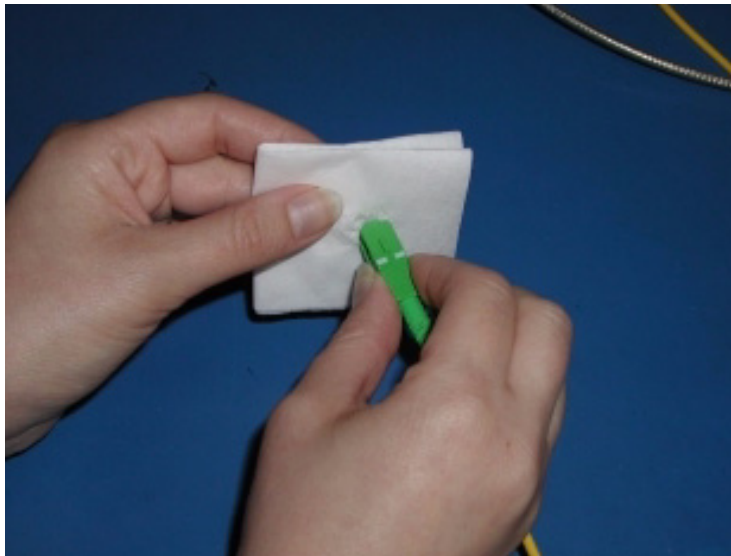


Figure 20 Wiping the connector with a Kim wiper [2]

Appendix 1.2 Cleaning Procedure for FC/APC Bulkhead Ports

Caution *Clean the transmitter and receiver optical ports only when there is evidence of contamination or reduced performance.*

Appendix 1.2.1 Swab Method

Using a clean fiber optic cleaning swab, gently wipe out the optical port. Discard the swab after use.

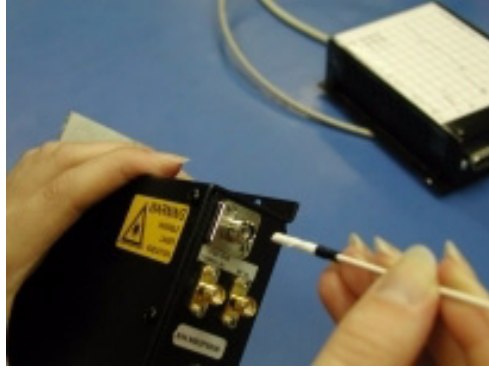


Figure 21 Cleaning the Optical Port

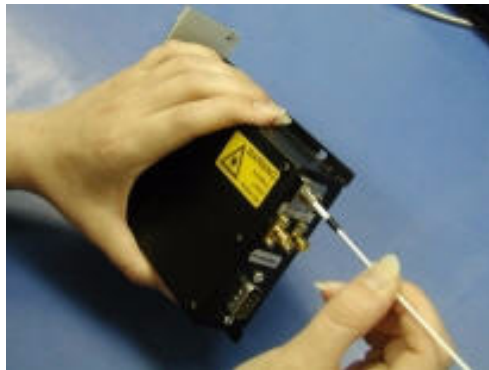


Figure 22 Cleaning the Optical Port [2]

Appendix 1.2.2 Compressed Air Method

Using the extension tube of the compressed air, blow into the port to remove any dust or debris. Do not allow the tube to touch the bottom of the port. Do not use commercial compressed air due to potential oil contamination.

Note To prevent contamination, the optical ports should be connected or covered with a dust cap at all times.
Use dry air or nitrogen only.

Appendix 2 Installing a Standalone Unit

To install the 7830DT-STD or 7830DR--STD Standalone:

1. Place the 7830D unit on the standalone flange, matching the holes.
2. Using four screws (#4 or #6) secure the unit and the flange to the wall.
3. Apply AC power to the standalone power supply unit.
4. Connect the 7830D unit to the power supply. The Laser LED should be lit.

All remaining steps are the same as in the product manual. See sections

2.1 Setting up the Transmitter on page8 and **2.3 Setting Up the Receiver** on page10.

Appendix 3 The 2380 Relay Adapter

Appendix 3.1 Installing the 2380 Relay Adapter	34
Appendix 3.1.1 Parts Required for Installing the 2380	34
Appendix 3.1.2 Mounting the the 2380 Relay Adapter	34
Appendix 3.2 2380 Dimensions and Front Panel Label.....	36
Appendix 3.3 2380 Adapter Pinouts	36

The following section describes how to install the 2380 Relay adapter onto the 7180M Chassis. The 2380 Relay adapter assembly provides dry contact output signals as an option to the standard open collector signals available on the 7180M chassis backplane.

If the 2380 Relay adapter is ordered separately from the 7180M chassis, it must be mounted by the user. The 2380 is mounted directly over the connectors on the 7180M backplane, as shown below.

Appendix 3.1 Installing the 2380 Relay Adapter

Appendix 3.1.1 Parts Required for Installing the 2380

- 2380 Relay Adapter
- Two pin guides
- Four one-inch screws
- Screw driver

Appendix 3.1.2 Mounting the 2380 Relay Adapter

1. **Very Important:** Disconnect the electricity **before** performing this procedure.
2. Make sure that you have all the needed equipment.
3. Install the pin guides.

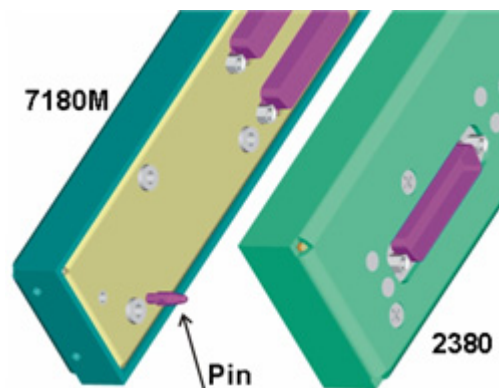


Figure 23 Installing the guide pins

4. Mount the unit onto the pin guides.

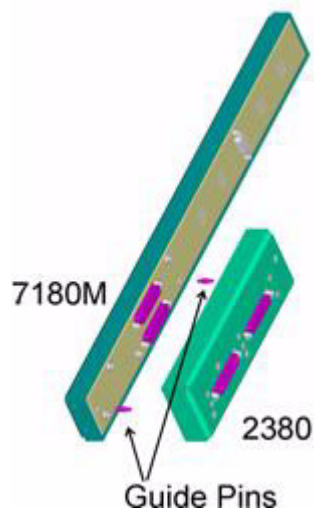


Figure 24 Mounting the adapter

5. Mount the four screws. The screws must be installed in the order shown in **Figures 25** and **26**.

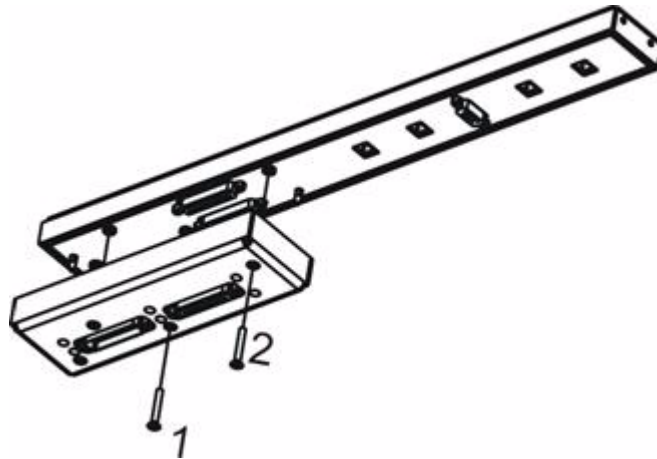


Figure 25 Mounting the Screws [1]

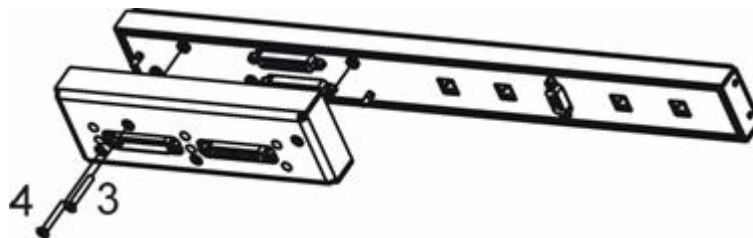


Figure 26 Mounting the screws [2]

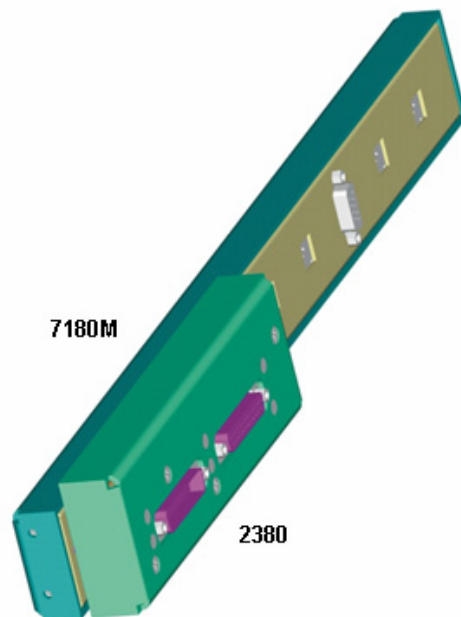


Figure 27 Mounted 2380 Adapter

Caution *Use only the mounting screws provided by Foxcom. Other screw a can permanently damage the unit!*

Appendix 3.2 2380 Dimensions and Front Panel Label

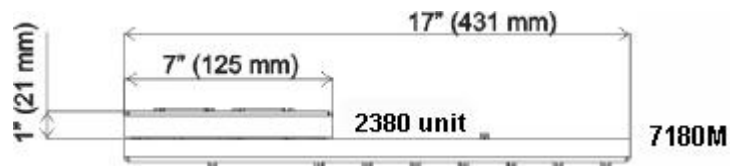


Figure 28 2380 Dimensions

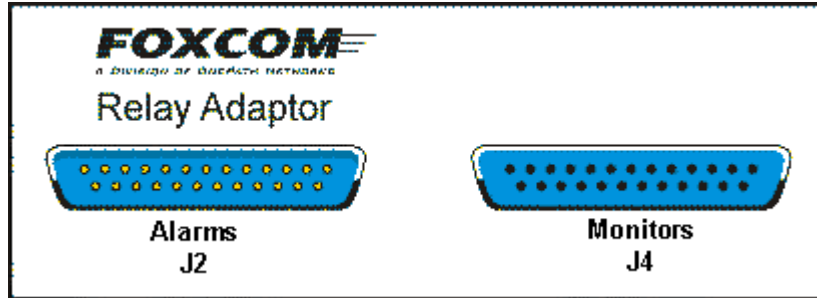


Figure 29 2380 Front Label

Appendix 3.3 2380 Adapter Pinouts

Table 11 2380 Alarms Pinouts [J2]

Pin Number	Function	Name	Slot Number
1	Alarm	NOP1	1
2	Alarm	COM1	1
3	Alarm	NOP2	2
4	Alarm	COM2	2
5	Alarm	NOP3	3
6	Alarm	COM3	3
7	Alarm	NOP4	4
8	Alarm	COM4	4
9	Alarm	NOP5	5
10	Alarm	COM5	5
11	Alarm	NOP6	6
12	Alarm	COM6	6
13	Alarm	NOP7	7
14	Alarm	COM7	7
15	Alarm	NOP8	8
16	Alarm	COM8	8
17			
18			
19			
20			
21			
22			
23	Main PS Alarm	MPSA	
24	Standby PS Alarm	SPSA	
25	Power Supply Comm.	PSCOM	

Note Alarms in Pins 1 through 16 function if there is either an RF or Optical signals failure.

Table 12 7180M Monitor Connector [J4] Pinout

Pin #	Function	Name	Slot No.
1	RSSI Monitor	RSSI1	1
2	RSSI Monitor	RSSI2	2
3	RSSI Monitor	RSSI3	3
4	RSSI Monitor	RSSI4	4
5	RSSI Monitor	RSSI5	5
6	RSSI Monitor	RSSI6	6
7	RSSI Monitor	RSSI7	7
8	RSSI Monitor	RSSI8	8
9	PDI Monitor	PDI1	1
10	PDI Monitor	PDI2	2
11	PDI Monitor	PDI3	3
12	PDI Monitor	PDI4	4
13	PDI Monitor	PDI5	5
14	PDI Monitor	PDI6	6
15	PDI Monitor	PDI7	7
16	PDI Monitor	PDI8	8
17	LSRI Monitor	LSRI1	1
18	LSRI Monitor	LSRI2	2
19	LSRI Monitor	LSRI3	3
20	LSRI Monitor	LSRI4	4
21	LSRI Monitor	LSRI5	5
22	LSRI Monitor	LSRI6	6
23	LSRI Monitor	LSRI7	7
24	LSRI Monitor	LSRI8	8
25	Chassis Ground		

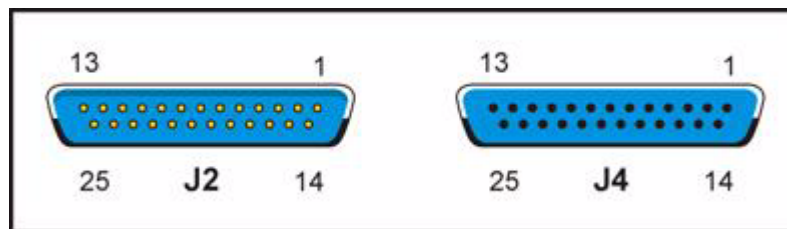


Figure 30 2380 Pin Number

Appendix 4 Pinout Charts and Diagrams

Figures 31 through 36 give detailed pinout information for the 7180M chassis, the 2380 Relay Adaptor and the 2040 RF Switch.

Figure 1 Standard 7180M and 7180M with 2380 Relay Adapter Pinout	40
Figure 2 7180M and 2040 RF Switch Pinout.	41
Figure 3 Pinout of 7180M Jumper with 2040 RF Switch in slots 2 and 5	42
Figure 4 Pinout of 7180M jumper with 2040 RF switch in slot 5	43
Figure 5 Pinout of 7180M jumper with 2040 RF switch in slot 5	44
Figure 6 Pinout of 7180 jumper with transmitter and receiver units only.	45

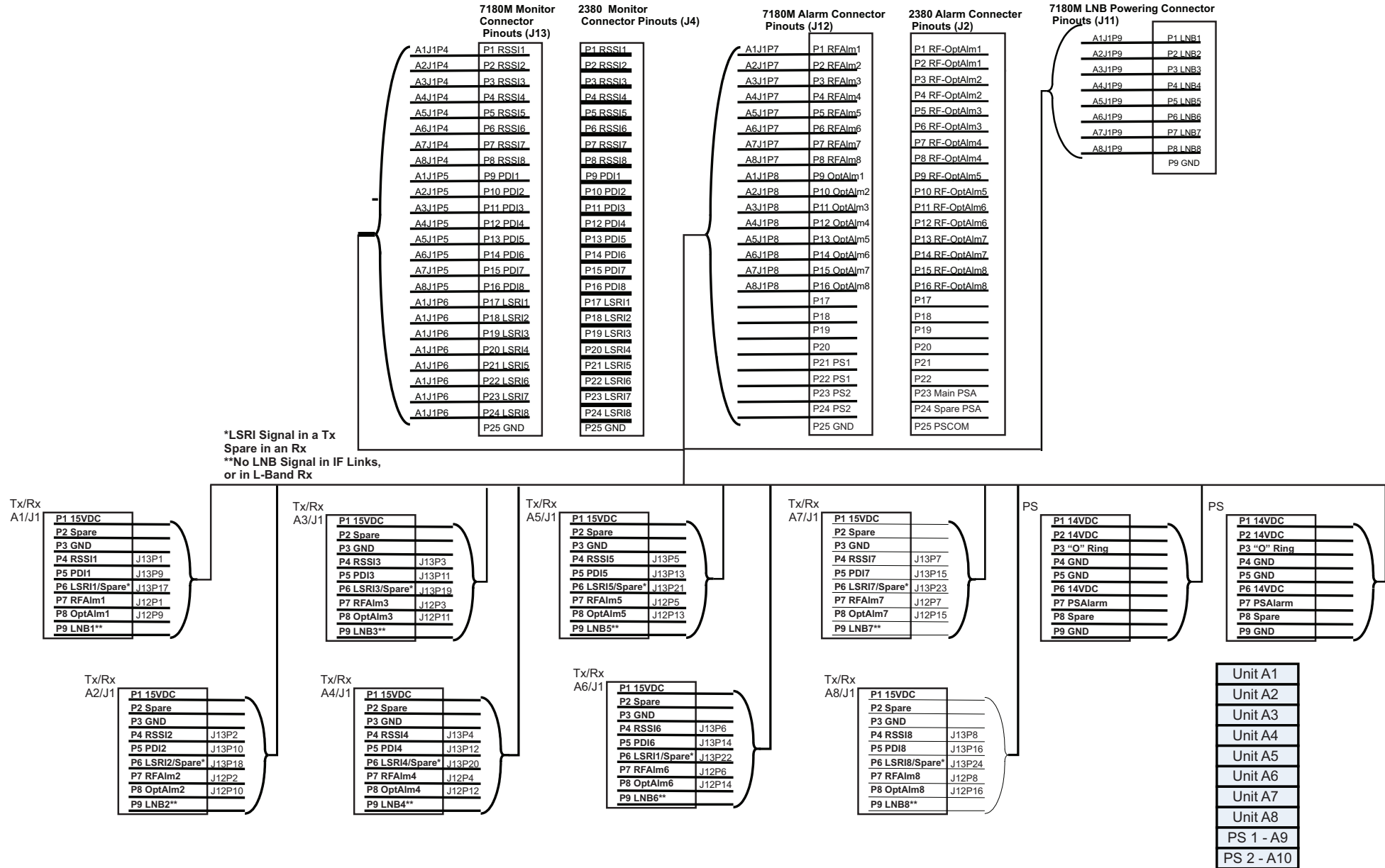
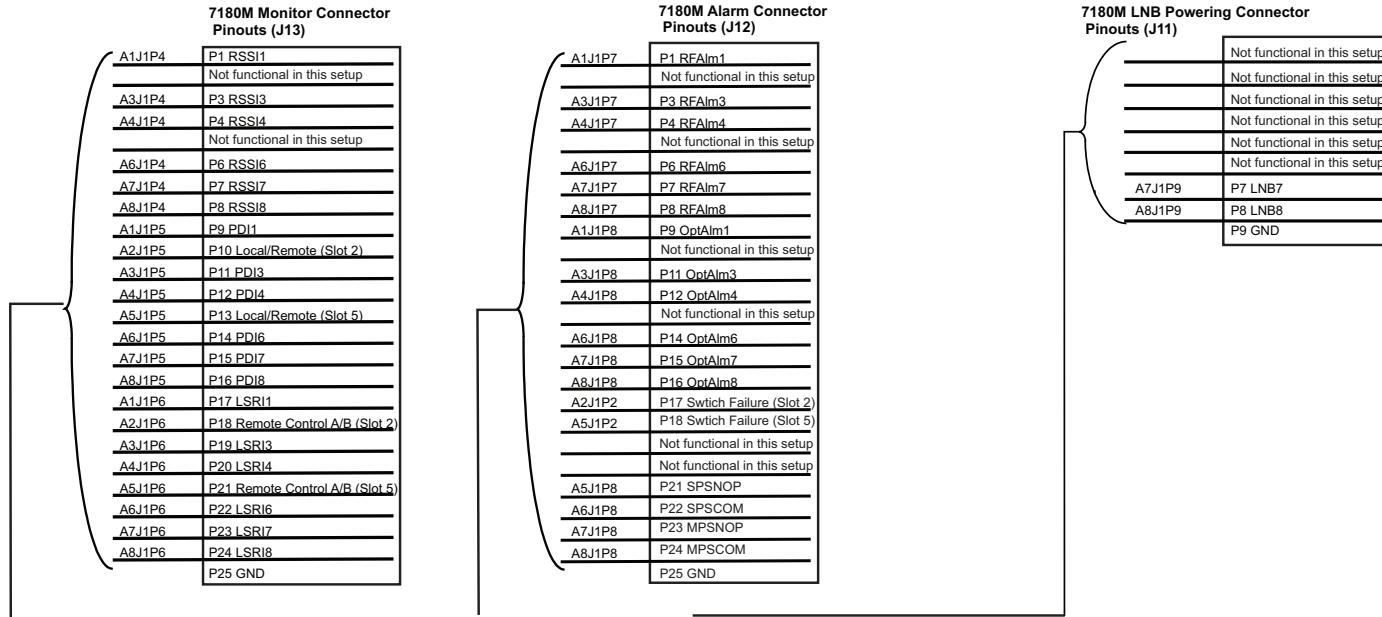


Figure 31 Standard 7180M and 7180M with 2380 Relay Adapter Pinout



*LSRI Signal in a Tx Spare in an Rx
 **No LNB Signal in IF Links, or in L-Band Rx

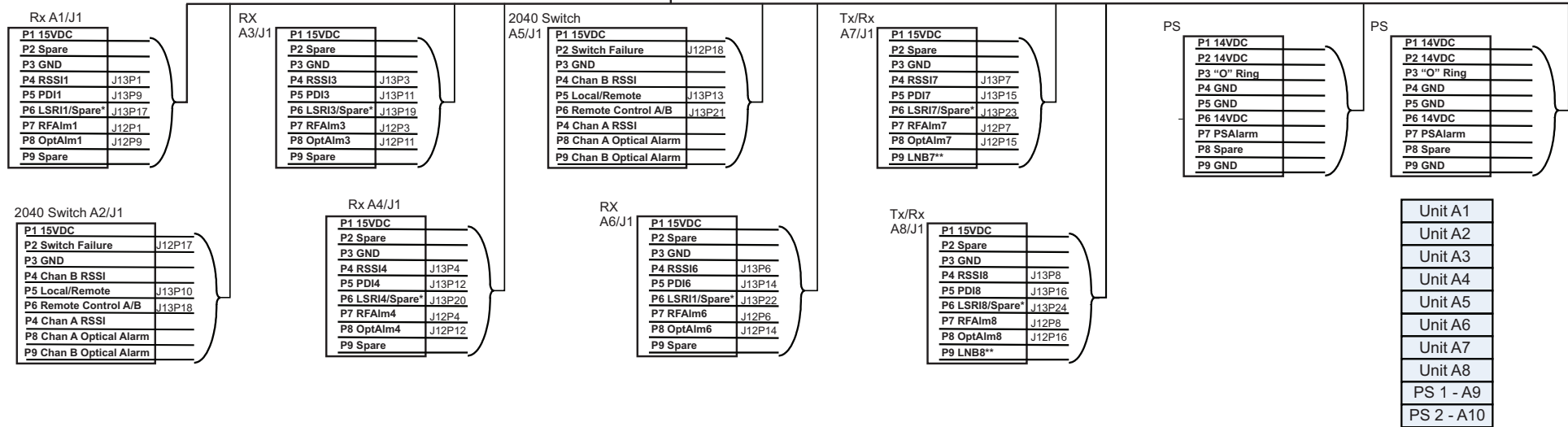


Figure 32 7180M and 2040 RF Switch Pinout

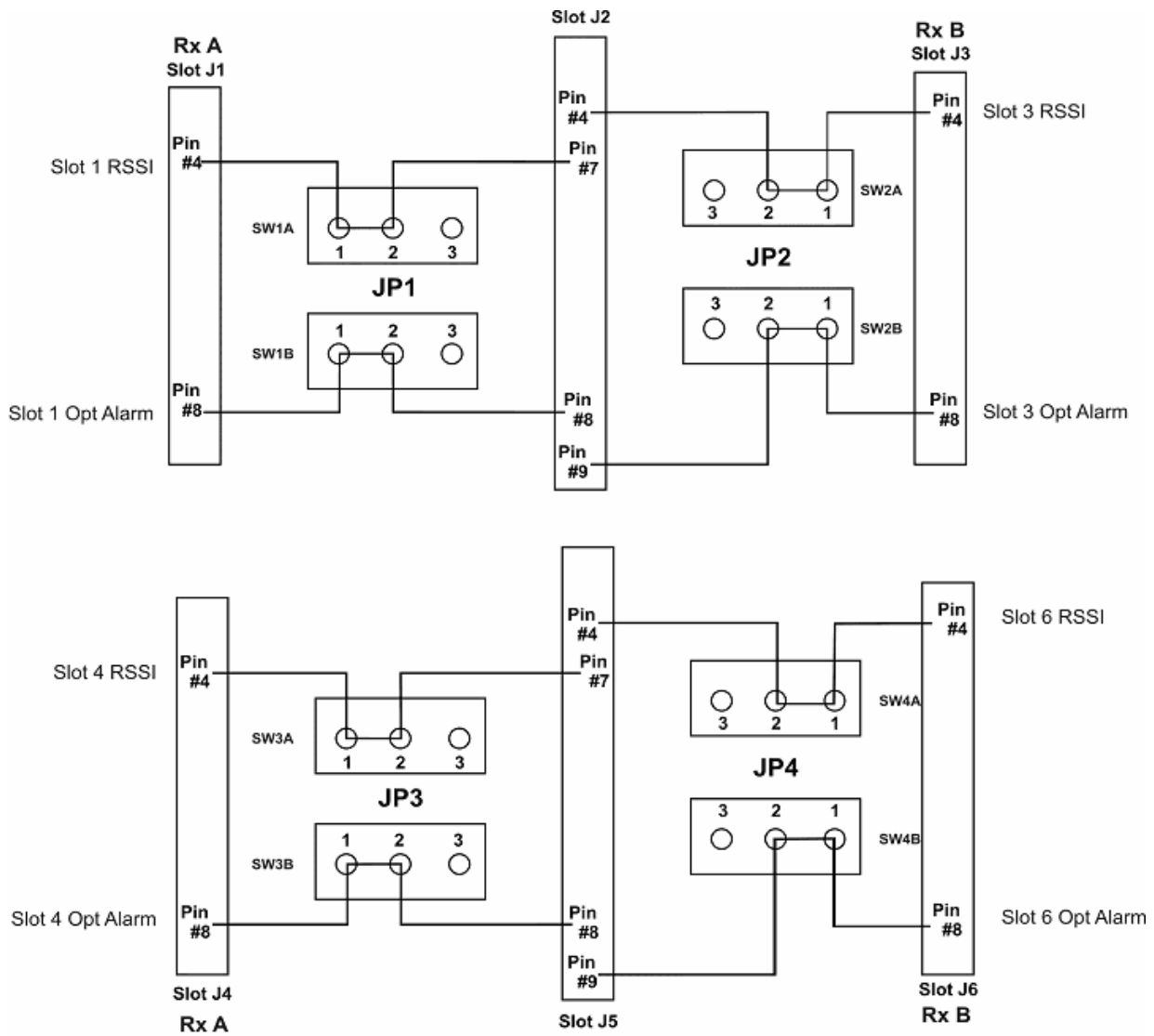


Figure 33 Pinout of 7180M Jumper with 2040 RF Switch in slots 2 and 5

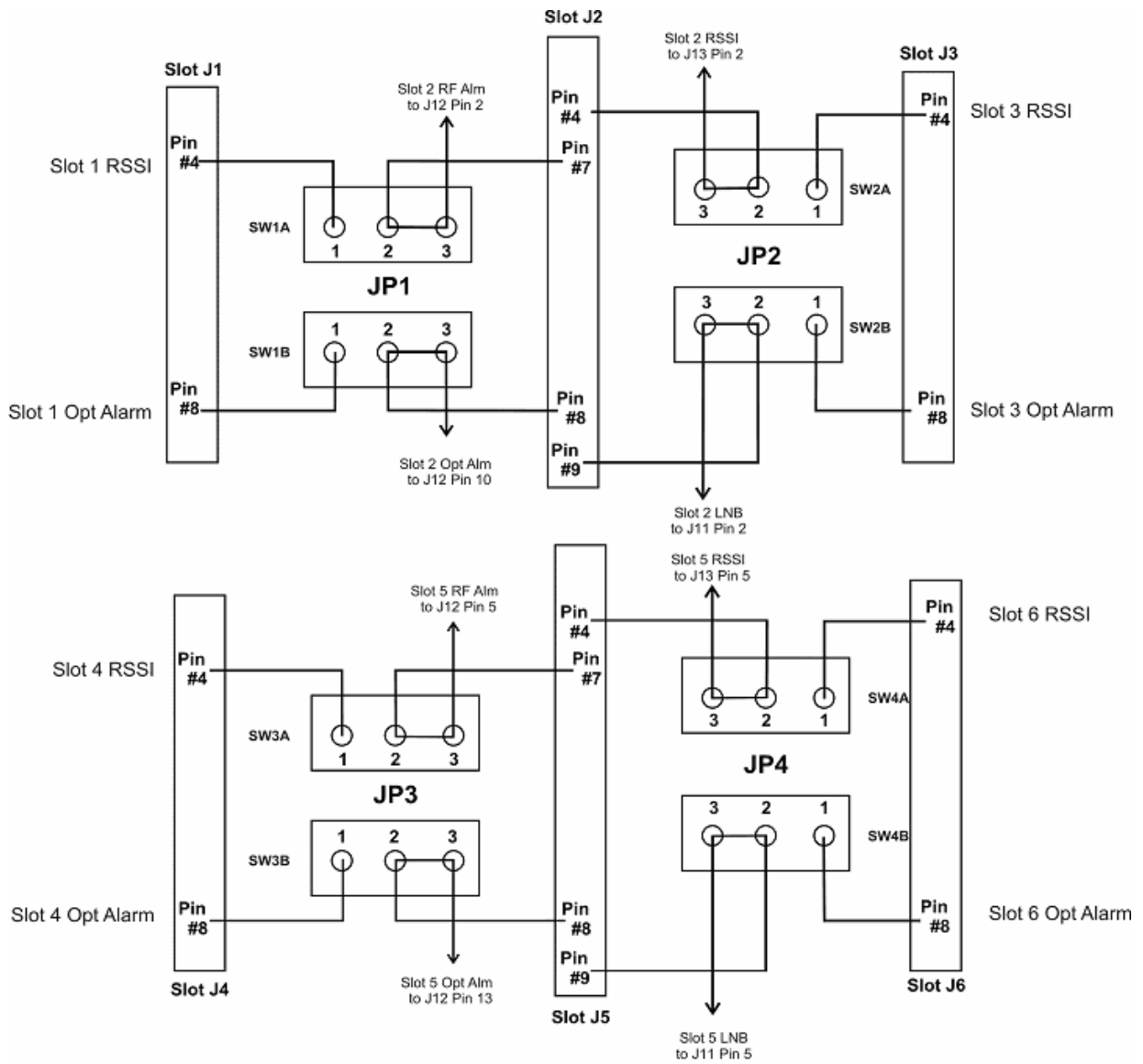


Figure 34 Pinout of 7180M jumper with 2040 RF switch in slot 5

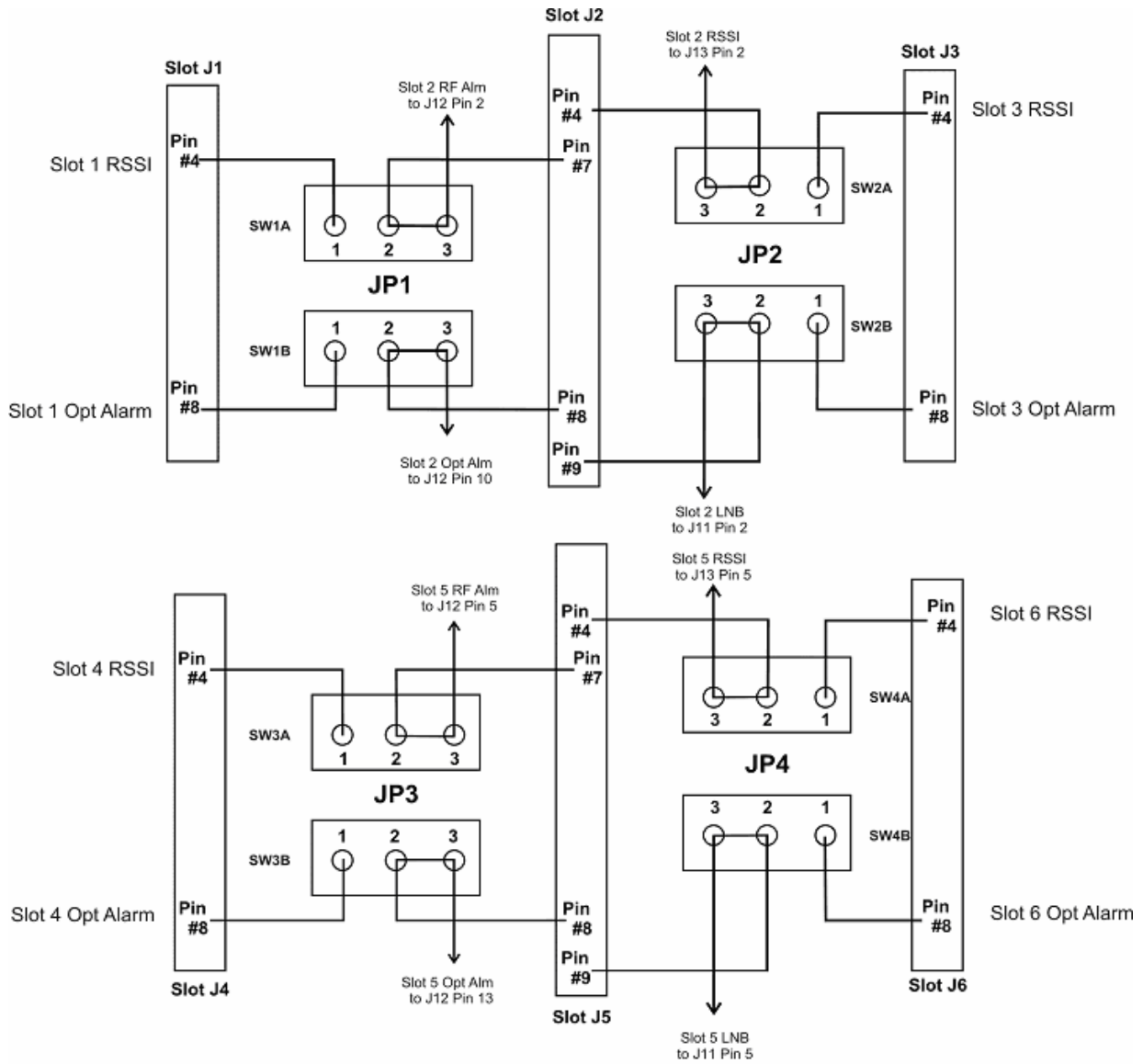


Figure 36 Pinout of 7180 jumper with transmitter and receiver units only
